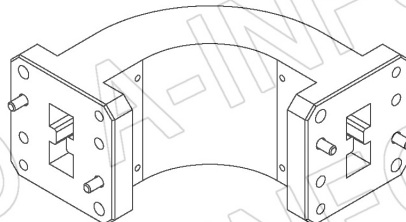
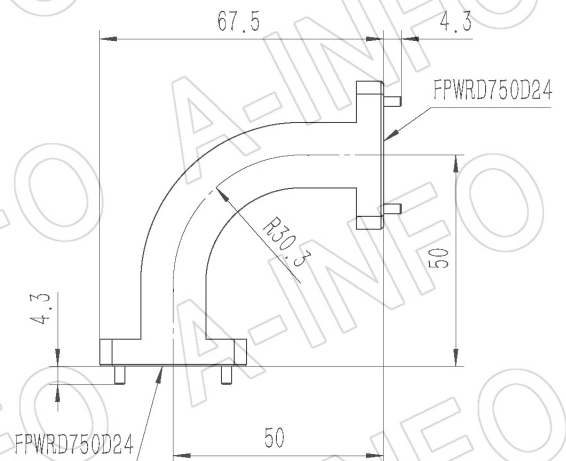
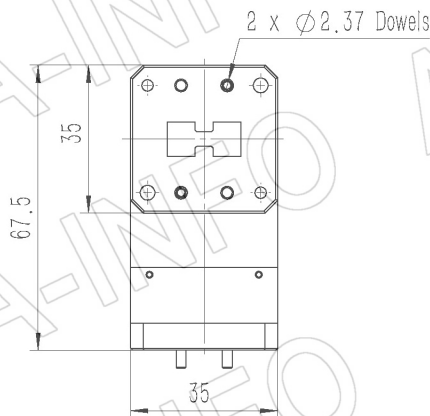


Technical Specification



EIA WRD	WRD750
Frequency Range(GHz)	7.5 – 18.0
Insertion Loss(dB)	0.2 Max.
VSWR	1.20:1 Max.
Flange	FPWRD750D24
Material	Cu
Finish	Silver Plated, Gray Paint
Size(mm)	67.5 x 67.5 x 35
Net Weight(Kg)	0.37 Around

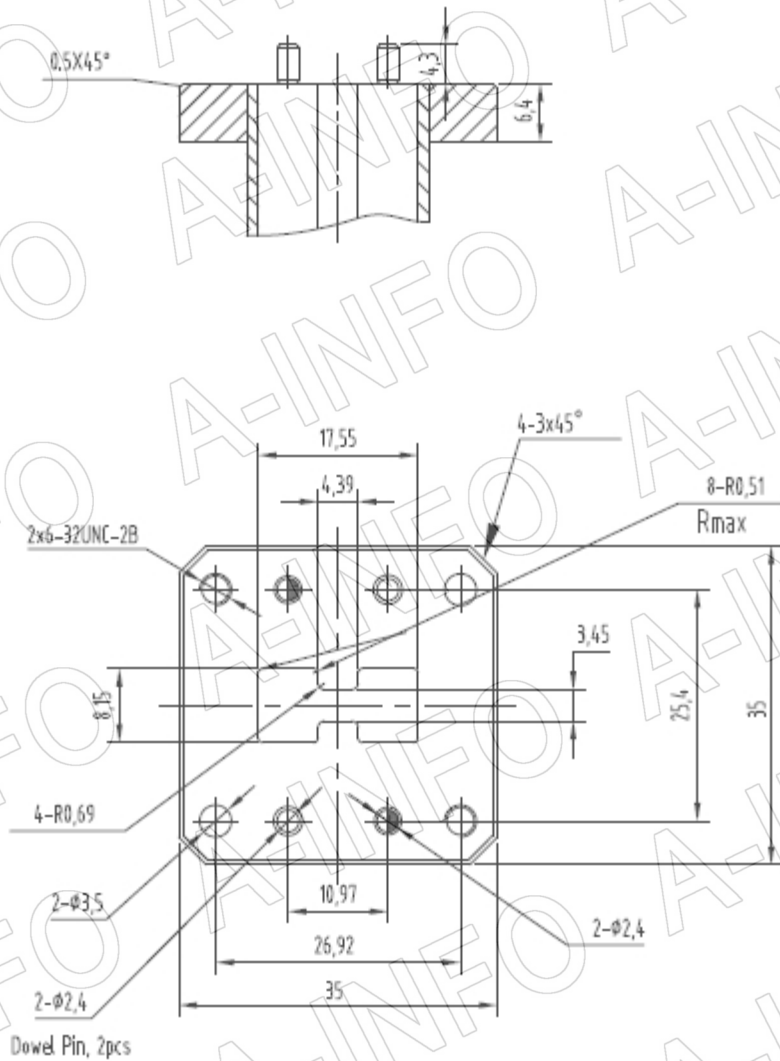
Outline Drawing (Size: mm)



Flange Drawing (Size: mm)

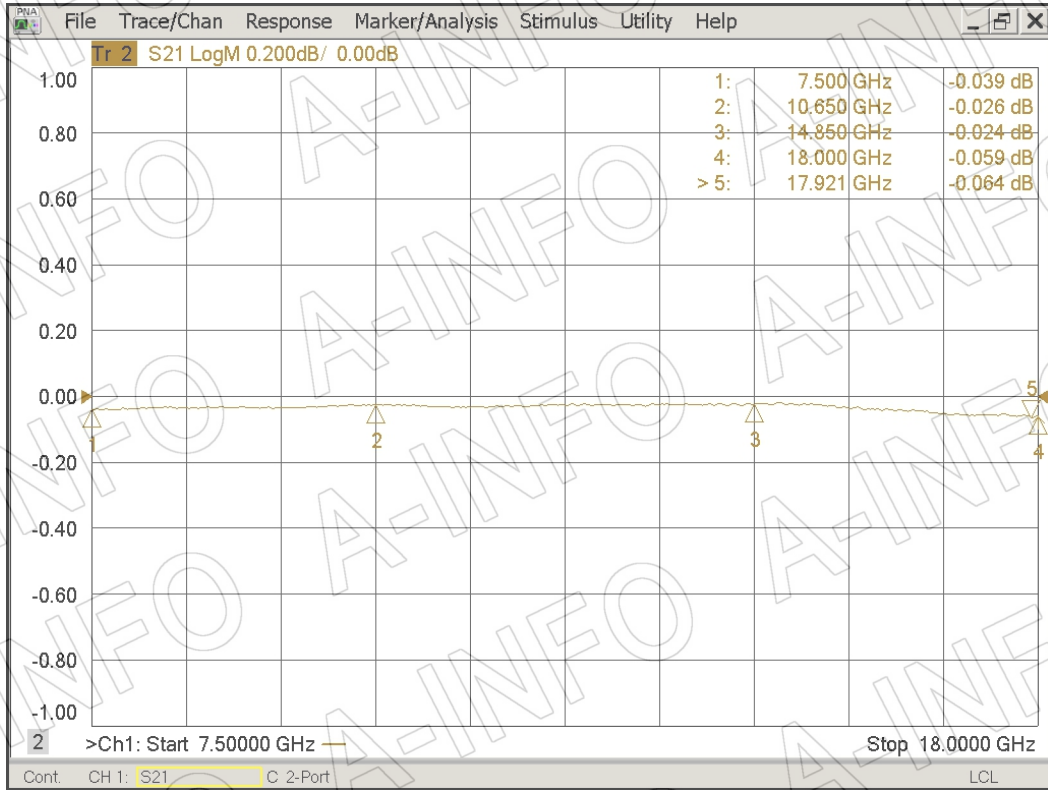
FPWRD750D24

(With two through mounting holes
and two screws holes)



Test Results

I.L.



VSWR

